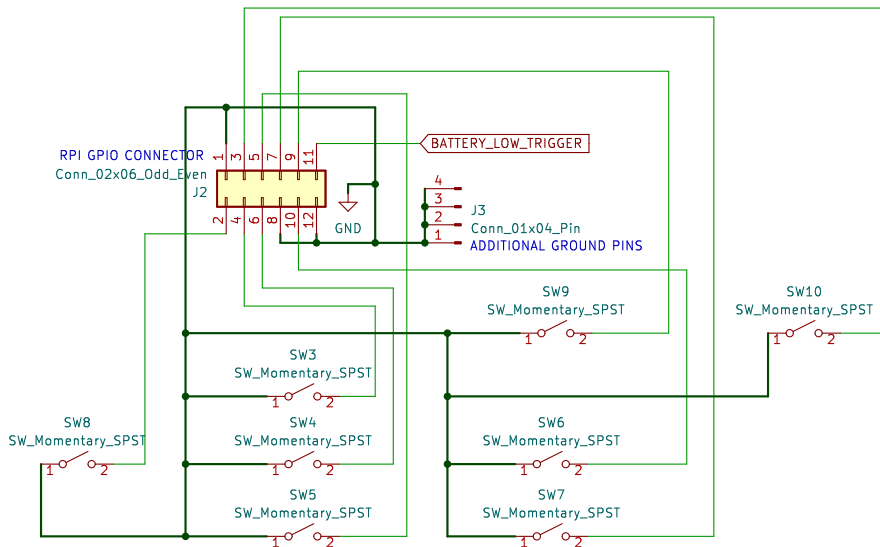
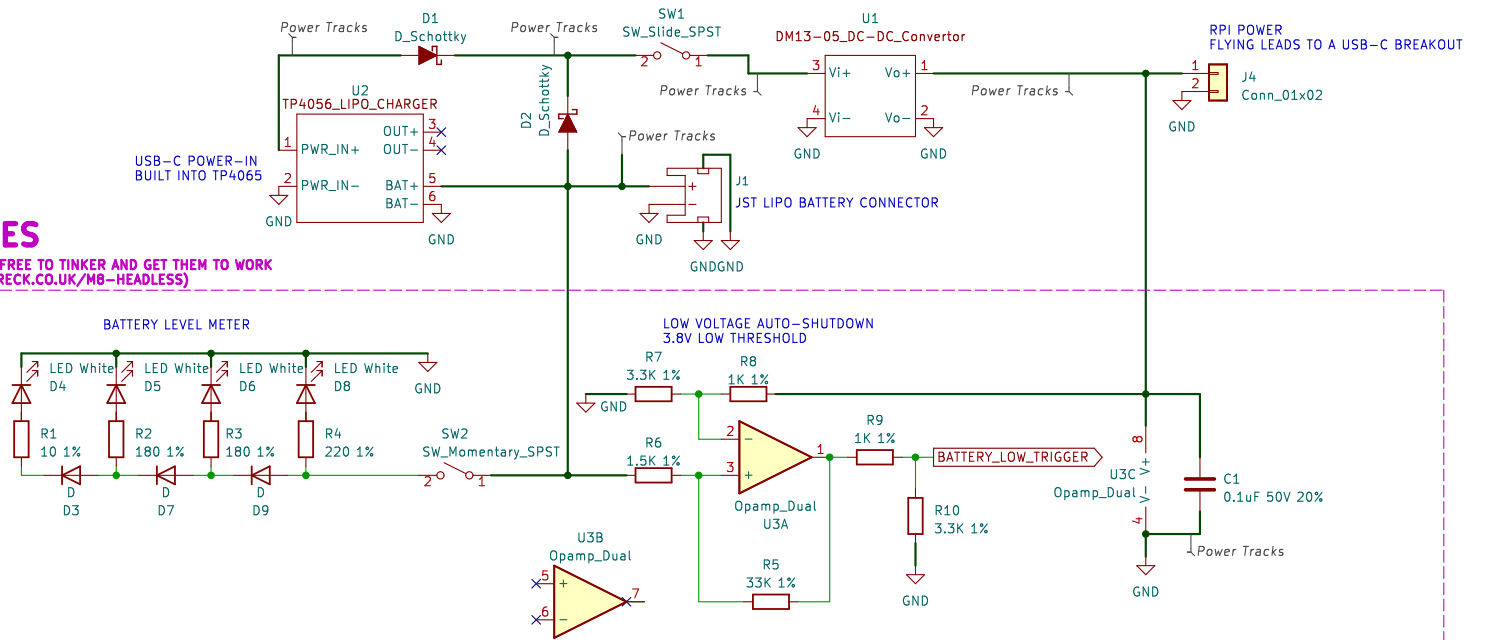


EXPERIMENTAL FEATURES

THESE DONT WORK IN THEIR CURRENT FORMAT. FEEL FREE TO TINKER AND GET THEM TO WORK
EXPLANATION OF ISSUES FOUND HERE (WWW.KIERANRECK.CO.UK/MB-HEADLESS)



KEYBOARD / KEYSWITCHES

www.kieranreck.co.uk

Kieran Reck

Sheet:

File: M8 Headless PCB.kicad V2_pro.kicad_sch

Title: M8 Headless PCB

Size: A4

Date: 2024-06-12

Rev: V2

KiCad E.D.A. kicad (7.0.0)

Id: 1/1